

eProcurement System for PSUs under MoD					
MIDHANI			Tenders		
Tender Details			Date : 09-Dec-2022 05:01 PM		
Print					
<b>Basic Details</b>					
Organisation Chain	MIDHANI				
Tender Reference Number	MDNPUR46227032/EAdvt/428/22-23				
Tender ID	2022_MDN_91753_1				
Tender Type	Open Tender	Form of contract	Tender cum Auction		
Tender Category	Works	No. of Covers	2		
General Technical Evaluation Allowed	No	ItemWise Technical Evaluation Allowed	Yes		
Payment Mode	Not Applicable	Is Multi Currency Allowed For BOQ	No		
Is Multi Currency Allowed For Fee	No	Allow Two Stage Bidding	No		
<b>Cover Details, No. Of Covers - 2</b>					
Cover No	Cover	Document Type	Description		
1	Fee/PreQual/Technical	.pdf	TECHNO-COMMERCIAL BID		
		.pdf	ATC(AGREED TERMS AND CONDITIONS)		
2	Finance	.xls	PRICE BID (BOQ- BILL OF QUANTITY)		
<b>Tender Fee Details, [Total Fee in ₹ * - 0.00]</b>				<b>EMD Fee Details</b>	
Tender Fee in ₹	0.00	Fee Payable To	Nil	Fee Payable At	Nil
Tender Fee Exemption Allowed	No	EMD Amount in ₹	0.00	EMD through BG/ST or EMD Exemption Allowed	No
		EMD Fee Type	fixed	EMD Percentage	NA
		EMD Payable To	Nil	EMD Payable At	Nil
<a href="#">Click to view modification history</a>					
<b>Work /Item(s)</b>					
Title	Deep Hole Drilling of SF800H Billets				
Work Description	Deep Hole Drilling of SF800H Billets				
Pre Qualification Details	Please refer Tender documents.				
Independent External Monitor/Remarks	NA				
Show Tender Value in Public Domain	No				
Tender Value in ₹	0.00	Product Category	Job Works	Sub category	NA
Contract Type	Tender	Bid Validity(Days)	90	Period Of Work (Days)	NA
Location	MISHRA DHATU NIGAM LIMITED	Pincode	500058	Pre Bid Meeting Place	NA
Pre Bid Meeting Address	NA	Pre Bid Meeting Date	NA	Bid Opening Place	MISHRA DHATU NIGAM LIMITED
Should Allow NDA Tender	No	Allow Preferential Bidder	No		

<b>Critical Dates</b>			
<b>Publish Date</b>	09-Dec-2022 06:30 PM	<b>Bid Opening Date</b>	30-Dec-2022 11:30 AM
<b>Document Download / Sale Start Date</b>	09-Dec-2022 06:30 PM	<b>Document Download / Sale End Date</b>	29-Dec-2022 11:30 AM
<b>Clarification Start Date</b>	NA	<b>Clarification End Date</b>	NA
<b>Bid Submission Start Date</b>	09-Dec-2022 06:30 PM	<b>Bid Submission End Date</b>	29-Dec-2022 11:30 AM

<b>Tender Documents</b>					
<b>NIT Document</b>	<b>S.No</b>	<b>Document Name</b>	<b>Description</b>	<b>Document Size (in KB)</b>	
	1	Tendernotice_1.pdf	NIT	886.92	
<b>Work Item Documents</b>	<b>S.No</b>	<b>Document Type</b>	<b>Document Name</b>	<b>Description</b>	<b>Document Size (in KB)</b>
	1	BOQ	BOQ_101159.xls	BOQ	226.50
	2	Tender Documents	Annexure-II.pdf	Annexure-II	700.97
	3	Tender Documents	ATC.xls	ATC	30.00
	4	Tender Documents	Declaration.pdf	DECLARATION	221.66
	5	Tender Documents	GST.pdf	GST	421.55
	6	Tender Documents	MAKEININDIA.pdf	MAKE IN INDIA	4328.44
	7	Tender Documents	Reverse_Auction.pdf	GUIDELINES FOR REVERSE AUCTION	375.73
	8	Tender Documents	Annexure-I.pdf	Annexure-I	450.61
	9	Tender Documents	Drawing.pdf	Drawing	105.51

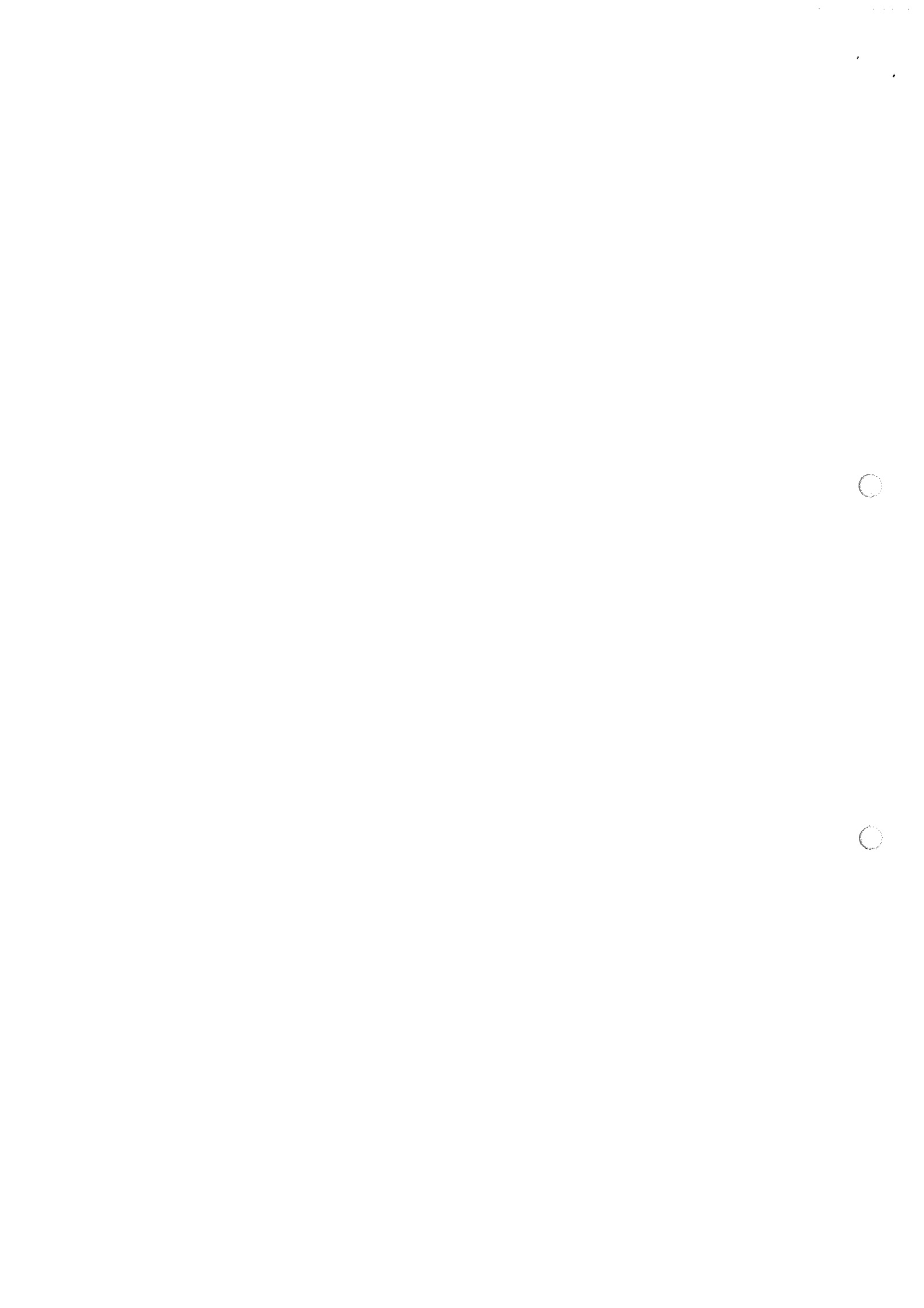
<b>Bid Openers List</b>			
S.No	Bid Opener Login Id	Bid Opener Name	Certificate Name
1.	s.mondal@midhani.gov.in	SUJAN MONDAL	SUJAN MONDAL
2.	raikumar@midhani-india.in	K Raj Kumar	RAJKUMAR KODI
3.	satyanarayana.sk@midhani-india.in	Satyanarayana Sarikonda	SARIKONDA SATYANARAYANA

<b>Tender Properties</b>			
<b>Auto Tendering Process allowed</b>	No	<b>Show Technical bid status</b>	Yes
<b>Show Finance bid status</b>	Yes	<b>Show Bids Details</b>	No
<b>BoQ Comparative Chart model</b>	Normal	<b>BoQ Comparative chart decimal places</b>	2
<b>BoQ Comparative Chart Rank Type</b>	L	<b>Form Based BoQ</b>	No
<b>Bidders Elimination Process Required</b>	No	<b>Allow Preferential Bidder Elimination Process Required</b>	No
<b>Minimum Bidder for Elimination</b>	3	<b>Number of Bidder to Eliminate</b>	1
<b>Adopt Tender Cum Auction New Process</b>	No		

<b>Tender Inviting Authority</b>	
<b>Name</b>	DGM (I/c Purchase)
<b>Address</b>	MISHRA DHATU NIGAM LIMITED PO - Kanchanbagh HYDERABAD - 500058

<b>Tender Creator Details</b>	
<b>Created By</b>	SUJAN MONDAL
<b>Designation</b>	Dy. Manager, Purchase
<b>Created Date</b>	09-Dec-2022 04:43 PM





# MISHRA DHATU NIGAM LIMITED

## e-Procurement NOTICE INVITING TENDERS (NIT)

### DETAILS OF TENDER

1.	ORGANISATION	Mishra Dhatu Nigam Limited
2.	DEPARTMENT	Purchase
3.	NIT NUMBER	NIT/428
4.	TENDER REFERENCE NUMBER	MDN/PUR/46227032/E-Advt/428/22-23
5.	NAME OF WORK	Deep Hole Drilling of SF800H Billets
6.	PERIOD OF COMPLETION	1(one) year from the date of PO
7.	EARNEST MONEY DEPOSIT	N.A.
8.	BIDDING TYPE	LIMITED
9.	BID CALL NO.	1 <sup>st</sup> Call
10.	TYPE OF QUOTATION	<b>JOB WORK</b>
11.	BID VALIDITY	90 Days.
12.	OFFICER INVITING BIDS	DGM (I/c Purchase)
13.	BID OPENING AUTHORITY	DGM (I/c Purchase)
14.	ADDRESS	MISHRA DHATU NIGAM LIMITED PO - Kanchanbagh HYDERABAD - 500058
15.	CONTACT DETAILS	For any techno-commercial clarifications Sri Sujan Mondal Ph. 040-2418 4453 E-Mail: <a href="mailto:smondal@midhani-india.in">smondal@midhani-india.in</a>  For e-Procurement portal related clarifications  Ms Manali Hingrajiya Ph. 040-2418 4535 Email: <a href="mailto:h.manali@midhani-india.in">h.manali@midhani-india.in</a>

### e-TENDER NOTICE

1. Tenders are invited on-line on the website <http://eprocuremidhani.nic.in> from the eligible bidders having Class III, Digital Signature Certificate (DSC) issued from any agency authorized by Controller of Certifying Authority (CCA), Govt. of India. For Digital Signature Certificate (DSC) issuer details Please Refer [www.cca.gov.in](http://www.cca.gov.in) website, FAQ- How do I get a Digital Signature Certificate (DSC) ?.

For supply of the following items:

MATERIAL Description	Estimated Requirement		Delivery Required
	Quantity	Units	
Deep Hole Drilling of SF800H Billets	400	No's	Within 25 days from the date of receipt of input material.

#### Eligibility Criteria:

S. No	Criteria	Documents required for confirmation
1.	Bidder Should have been established and operating for a period of at least 5 years prior to the date of Tender	- Certification of Incorporation issued by the Registrars of Companies "OR" - Certificate of Registration by Registrar of Firms "OR" GST registration in case of proprietary firms
2.	Positive Net Worth/Solvency: Should have Positive Networth in each of the previous three FY "OR" Should submit solvency certificate for Rs 31,28,000 not earlier than 6 months from the date of Tender	Audited Annual Accounts "OR" Certificate from Certified Chartered Accountant for Net Worth of the Company issued not more than 6 months before the date of tender with seal and Membership Number mentioned on the Certificate. "OR" It should be issued by Nationalised Bank from India Origin.
3.	Bidder Should have PAN/TAN/TIN/GST registration	Copy of Registration Certificates
4.	Bidder Unconditional acceptance of all commercial terms and conditions	Self certificate documents to be submitted

**NOTE: Party shall be limited to 70 Km of in and around Hyderabad only.**

#### 2. Time Schedule of Tender

Sl.	Particulars	Date	Time
		(DD/MM/YYYY)	(Hrs. Mins)
a	Tender e-Publication date	09/12/2022	18:30
b	Bid submission end date	29/12/2022	11:30
c	Bid Opening date	30/12/2022	11:30

## DOCUMENTS TO BE UPLOADED BY THE BIDDER

Technical Bid in Cover One		
SI No	File Type	Document Description
1	.pdf	TECHNO-COMMERCIAL BID
2	.xls	ATC(AGREED TERMS AND CONDITIONS)

Technical Bid in Cover Two		
SI No	File Type	Document Description
1	.xls	PRICE BID (BOQ- BILL OF QUANTITY)

### INSTRUCTIONS TO THE TENDERS

3. a. The Tender has to be submitted in TWO BID SYSTEM failing which the tender will be liable for rejection. All technical matters, Testimonials, credentials, commercial conditions has to be mentioned in Cover-I i.e. Technical Bid and Price has to be mentioned in Cover-II i.e. Price Bid (BOQ).(Note: The other commercial terms & conditions of your quotation/offer should be mentioned separately in **ATC (Agreed Terms and Condition)** which will be downloaded and upload the same in cover I). All bids are to be submitted on-line on the website <http://eprocuremidhani.nic.in> **No bid shall be accepted off-line.**  
b. No consideration for wrong entries/errors will be allowed and firms are advised to carefully indicate the applicable taxes and duties amount.
4. **Technical Specification:** Technical Specification containing the technical parameters for tendered item will be in PDF format and will be downloaded by the bidder and he will furnish all the required information in PDF file. Thereafter, the bidder will upload the technical specification of the quoted item in PDF file during bid submission. Non-compliance of any one specification parameter of the item will disqualify the bidder in that item. The Technical specification which is incomplete and not submitted as per instruction given above will be rejected.
5. **Price bid:** The Price bid containing the Bill of Quantity will be in Excel format and will be downloaded by the bidder and he will quote the rates, taxes & duties etc. for his offered items on this Excel file. Thereafter, the bidder will upload the same Excel file during bid submission in respective folder. The Price-bid will be in Item-wise Rate BOQ format and the bidder shall quote for all tendered items and the **L-1 will be decided item wise.** The Price-bids of the tenderers will have no condition. The Price Bid which is incomplete and not submitted as per instruction will be rejected.
6. The "General Terms & Conditions" as mentioned in the NIT shall form an integral part of the NIT and will also form a part of the Supply Orders placed against this tender.
7. **Clarification of Bid:** The bidder may seek clarification on-line within the specified period. His identity will not be disclosed by the system. However, the management will clarify as far as possible the relevant queries. The clarifications given by the department

will be visible to all the bidders or only the bidder who raised the clarification query , intending to participate in the tender.

**8. Submission of Bid:**

a. In order to submit the Bid, the bidders have to get themselves registered online on the e-Procurement portal <http://eprocuremidhani.nic.in> with valid Digital Signature Certificate (DSC) of Class III issued from any agency authorized by Controller of Certifying Authority (CCA), Govt. of India. The online Registration of the Bidders on the portal will be free of cost and one time activity only.

b. The bidders have to accept unconditionally the on-line user portal agreement which contains the acceptance of all the Terms and Conditions of NIT including Commercial & General Terms & Conditions, along with on-line undertaking in support of the authenticity of the declarations regarding the facts, figures, information and documents furnished by the Bidder on-line in order to become an eligible bidder. No conditional bid shall be accepted.

c. In case the Tender Committee finds that there is some error/omission in scanning & uploading the Technical Cover document by a bidder, the same will be specified on-line under shortfall documents by Evaluator normally within short duration of Technical-bid (Part-I) opening, indicating the start date and end date giving specific time for on-line submission by bidder. The bidder will get the intimation about this through a standard system generated e-mail and will re-upload the same within specified period. No additional time will be allowed for on-line submission of document.

9. **Security Deposit:** Successful Bidder SD @ 3% of the order value shall be submitted within 21 days from the date of PO or 10 days from the date of issue of 1<sup>st</sup> batch of input material whichever is later, through online payment. In case SD is not submitted within 21 days from the date of Purchase Order or 10 days from the date of issue of input material whichever is later, interest @ 12% p.a. shall be levied for the period of delay beyond 21 days from the date of order or 10 days from the date of issue of input material whichever is later. Interest as above may be either deposited by the supplier / contractor or recovered from any amounts due to the supplier / contractor.

10. **Modification and Resubmission of Bid:** The bidder may modify and resubmit the bid on-line as many times as he/she may wish, only before the deadline of submission of tender.

11. **Firm Price:** Price quoted shall be firm and fixed (based on mutual agreement between MIDHANI and vendor) till complete execution of order.

12. **PRICES:** Prices quoted must be FIRM till delivery as per agreement, otherwise the offer will be rejected. The destination point for delivery of materials will be as follows:

Item Sl. No.	Quantity	Consignee	Destination Point (Place of delivery of materials)
All items	Full	AGM (store)	AGM (store)



Quantity Mishra Dhatu Nigam Limited  
PO - Kanchanbagh  
HYDERABAD - 500058, INDIA

Mishra Dhatu Nigam Limited  
Central Stores  
PO - Kanchanbagh  
HYDERABAD - 500058, INDIA

The bidder will be responsible for safe arrival of materials to the destination points as mentioned above. However, the unloading and stacking of materials will be the responsibility of the consignee. The bidders should quote their **unit rate** on FOR MIDHANI basis in a specified BOQ format. The L1 bidder will be decided on quoted price as defined at point 5. Non submission of any price component by bidder will be taken as 'zero' by the system, the evaluation will be done accordingly and that price element will be assumed to be included in the basic price quoted by the bidder. Bidders are requested to indicate CGST/SGST/IGST Tax separately in ATC format clause no 9.

13. After evaluation of Techno-commercial bid, all the bidders will get the information regarding status of their eligibility along with the date of Price-bid opening on their personalized dash board and also by system generated e-mail. It will be the bidder's responsibility to check the status of their Bid on-line at least once daily, after the opening of Techno-commercial bid till opening of the Price-bid. No separate communication will be made to the bidder in this regard.

14. The Bidder, who's Bid has been accepted, will be notified of the award on-line and also by registered post by the employer prior to expiration of the bid validity period. The L-1 bidder will get the information regarding award of work on their personalized dashboard on-line. On receipt of Letter for Acceptance (LOA)/Work Order of the tender issued by the MIDHANI, the successful tenderer shall execute contract agreement in the company's prescribed form for the due fulfillment of the contract. Failure to enter into the required contract within the specified period in the work order shall entail cancellation of LOA/work order and forfeiture of the Earnest Money. The written contract to be entered into between the contractor and the MIDHANI, shall be the foundation of the rights of both the parties and the contract shall not be deemed to be executed until the contract is signed by both the parties i.e. Contractor and the MIDHANI.

15. **Cost of Bidding:** The bidder shall bear all costs associated with the preparation and submission of his bid and the Employer will in no case be responsible and liable for those costs.

16. **Currencies of Bid and Payment:** The unit rates shall be quoted by the Bidder entirely in Indian Rupees only.

17. It is the bidder's responsibility to comply with the system requirement i.e. hardware, software and internet connectivity at bidder's premises to access the e-tender website. Under any circumstances, MIDHANI shall not be liable to the bidders for any direct/indirect loss or damages incurred by them arising out of incorrect use of the e-tender system or internet connectivity failures.

18. **One Bid per Bidder:** Each Bidder shall submit only one Bid, either individually, or as a partner in a partnership firm or a partner in a Joint Venture or a public limited firm. A Bidder who submits or participates in more than one Bid (other than as a subcontractor or in cases of alternatives that have been permitted or requested) will cause all the proposals with the Bidder's participation to be disqualified.
19. **Laws Applicable:** The Contract (order) placed for supply covered by this tender shall be governed by the laws of Government of India for the time being in force.
20. **Force Majeure:**
- a) Unforeseeable causes beyond the control and without any fault or negligence of either party which effect delay or failure to fulfill this agreement partially or wholly shall be regarded as force majeure and shall include causes such as Act of God, War Fires, Floods, Epidemics, Quarantines , Govt. Restrictions Strikes, Earth Quake. etc.
- b) The occurrence of case of force Majeure shall be notified by the party affected by it to the other party immediately by cable/fax and confirmed by registered air mail letter, stating the nature of occurrence accompanied by a certificate issued by Chamber of Trade/Commerce or by the Ministry of Shipping, Government of India, New Delhi as the case may be . The same procedure shall be observed when the case of force majeure ceases.
21. The MIDHANI reserves the right to postpone the date of receipt and opening of tenders or to cancel the tenders without assigning any reason whatsoever.

Signature Not Verified

Digitally signed by SUJAN MONDAL  
Date: 2022.12.09 16:42:38 IST  
Location: PSUs of Ministry of Defence-  
DEFPSU

**SPECIFICATION & SCOPE OF WORK****INPUT:**

· Special Steel forged & annealed billets as per sizes mentioned below will be given for machining. Approximate hardness of this material is about 300 BHN. Density of this material around 8.1 gm/cm<sup>3</sup>. Machinability of this material is similar to stainless steel. Use of forced coolant flow is must while machining this material.

**SCOPE OF WORK:**

· Forged & annealed billets as per the input sizes given below will be given for machining. Machining has to be carried as per output sizes given below. Machined product and generated scrap has to be returned to Midhani with identity. Input, output sizes & quantity:

S.no	Input size (mm) Dia X L	Approx. Input Qty	Output size (mm) OD X ID X L
1	Dia 170 ( ±5 ) X 500 (+10.0)L	36000 kgs (400 no.s)	As per Drg M28P600-4884-A4

**Note:**

1. INPUT Quantity tolerance  $\pm 25\%$  (No's).
2. Output tolerances: As per Drg M28P600-4884-A4
3. Surface finish : 3.2  $\mu$  Ra
4. Parties have to quote machining charges per Number basis.
5. Standard rejection clause is applicable in case of rejection due to machining.
6. Depending on delivery requirement and availability of input material order may be split between 2 parties if L1 price is matched.
7. Distribution shall be made in the ratio of 60:40

· **PROCESS LOSS:** Scrap generated during machining has to be returned to Midhani. However, a process loss of maximum 8 % on generated scrap may be allowed.

· **IDENTIFICATION:** Punching of Grade, Heat No, Size etc has to be done on machined product as per requirement of Midhani

· **INSPECTION:** Dimensional inspection of machined product will be done at Midhani. However, sub-contractor has to submit dimensional reports of machined product.

· **ACCEPTANCE CRITERIA:** final dimensions, surface finish and tolerances of machined product should be as mentioned.

· **DELIVERY PERIOD:** 25 days from the date of receipt of input material. 30-40 No.s will be issued per batch.

· **TRANSPORTATION:** 'To and Fro' transportation of material including return of scrap has to be arranged by sub-contractor.

· **QUANTITY ENHANCEMENT:** Midhani reserves the right to increase the quantity up to 100% within the PO validity

**Qualification Criteria:**

1. Vendors already executed similar job for Midhani are qualified by default.
2. New vendors within 100 Km radius of Hyderabad wishing to participate in the tender shall have the following equipment
  - Minimum 3 Nos of lathe capacity to perform the Job - for machining of OD.
  - Minimum 3 Nos Boring machine/Lathe machine with necessary tooling to finish bore Dia 45 mm.
3. New vendors shall have past experience of carrying out machining of alloy800 or similar nickel alloy Drilling and shall submit list of facilities along with past work experiences of similar kind of jobs (Unpriced POs shall be submitted as proof).
4. Crane capacity : 1 MT
5. List of measuring instruments are to be submitted.

## TERMS AND CONDITIONS FOR JOBWORKS

**1. PAYMENT TERMS :**

Payment will be made within a period of 30 days from the date of receipt and acceptance of the materials at site.

Compliance to GST Return and e-invoicing shall be as per Annexure's enclosed.

**2. SECURITY DEPOSIT (SD):**

Successful Bidder SD @ 3% of the order value shall be submitted within 21 days from the date of PO or 10 days from the date of issue of 1st batch of input material whichever is later, through online payment. In case SD is not submitted within 21 days from the date of Purchase Order or 10 days from the date of issue of input material whichever is later, interest @ 12% p.a. shall be levied for the period of delay beyond 21 days from the date of order or 10 days from the date of issue of input material whichever is later. Interest as above may be either deposited by the supplier / contractor or recovered from any amounts due to the supplier / contractor.

**Note:** All Central PSU and Govt. departments are exempted from submission of SD.

**3. INDEMNITY BOND :**

The successful tenderer shall submit Indemnity Bond covering the value of free issue material as directed by the Purchaser. The value of the material will be furnished at the time of placement of order.

**4. PROCESS LOSS:**

Scrap generated shall be returned back to MIDHANI with suitable material accounting challan wise. A maximum process loss 8% on generated scrap. If the process loss exceeds the allowed 8%, equivalent scrap cost for the exceeded scrap qty shall be recovered from party.

**5. REJECTIONS:**

The processing has to be carried out as per Scope of Work. If the Material is rejected due to faulty workmanship of supplier, machining charges shall not be paid and input raw material cost shall be recovered from party. The rejected material shall be returned back to MIDHANI.

**6. INSURANCE:**

The successful tenderer shall take an Insurance Policy, covering all risks, for the value of material issued by Midhani during transit & lying at his works.

**7. PRICES:**

Tenderers shall submit their quotation in terms of Rs. per Input Number basis. The prices shall be firm during the tenure of the contract.

**8. TRANSPORT: To and Fro transportation shall be in the scope of vendor at their own cost.****9. DELIVERY: Within 25 days from the date of receipt of input material.****10. Tenderers shall submit their quotes in clear terms without any vague expressions.****11. MSE UNITS: Confirm whether you are MSE UNIT or MSE UNIT owned by SC/ST Entrepreneur. If yes, Please submit latest valid documentary proof for extending benefits as per Government guidelines.**

12. Tenderers are requested to submit their offers according to Purchaser's Terms & Conditions.

13. The Purchaser is not bound to accept the lowest or any tender or to assign reasons for its non-acceptance. The Purchaser also reserves the right to accept the tender either in whole or in part.

14. **INSPECTION:** As per annexure-I

15. **VALIDITY:**

The final price offered shall be valid for 1(one) year from the date of placement of order.

16. **REPEAT ORDER :**

Within a period of six months from the date of completion of the order, the Purchaser further reserves the right to place repeat order on the successful tenderer for an additional quantity upto 100% of the original ordered quantity.

17. **ARBITRATION:**

Any dispute or difference whatsoever arising between the parties out of or in connection with the Order/Contract or the breach thereof shall be settled by bilateral discussions failing which they shall be settled by Arbitration in accordance with the Rules of Arbitration of the International Centre for Alternative Dispute Resolution (ICADR) as per ICADR Arbitration Rules 1996 and the award made in pursuance thereof shall be binding on the parties. The language of arbitration shall be English and the place of arbitration shall be Telangana, India.

In the event of any dispute or difference relating to the interpretation and application of the provisions of commercial contract(s) between Central Public Sector Enterprises (CPSEs)/Port Trusts inter se and also between CPSEs and Government dept./Organizations (Excluding disputes concerning Railways, Income Tax, Customs & Excise Dept.), such disputes or differences shall be taken up by either party for resolution through AMRCD as mentioned in DPE OM No. 4(1)/ 2013- DPE(GM)/FTS-1835 dated 22/5/2018 or the latest DPE Guidelines issued from time to time.

18. **JURISDICTION:**

All questions, disputes or differences arising under, out of or in connection with the contract shall be subject to the exclusive jurisdiction of court within local limits of Hyderabad, Telangana.

19. **RISK PURCHASE:**

If the Contractor shall fail to complete the assigned work within the time prescribed in the tender/contract thereof, the Purchaser reserves the right to get the job done through other sources at the Contractor's cost & risk.

20. Tenders not conforming to Purchaser's terms & conditions shall be summarily rejected.

21. **COUNTER TERMS & CONDITIONS:**

Where counter terms & conditions have been offered by the tenderer, the Purchaser shall not be governed by these unless specific acceptance has been given in writing in the order by the Purchaser.

22. **RESPONSIBILITY FOR PERFORMANCE OF CONTRACT:**

The Successful tenderer is responsible for the due performance of the contract in all respects as per the Scope of work.

**23. GENERAL DIRECTION OF THE WORK:**

The contractor shall obtain instructions for carrying out the work pertaining to his Contract from the Purchaser or its authorized representative. The Contractor shall take care of the progress of the work through a qualified representative. Any instructions given to such representative shall be considered as having been issued directly to the Contractor.

**24. SUB LETTING OR SUB-CONTRACTING OF CONTRACT:**

The Successful tenderer shall not sublet, transfer or assign the contract or any part thereof without the written permission of the Purchaser.

**25. LIQUIDATED DAMAGES FOR DELAY IN EXECUTION OF CONTRACT:**

If the Contractor shall fail to complete the assigned work within the time prescribed in the Contract thereof, or extended time thereof, the Contractor shall be liable to pay the Purchaser as liquidated damages for such default, but not as a penalty, a sum calculated at the rate of 1% (One percent) of the Contract Price per week of delay, subject to a maximum of 10% (Ten percent) of the Contract Price. The Purchaser may, without prejudice to any other method of recovery, deduct the amount of such damages from any money in his due to the Contractor. The payment or deduction of such damages shall not relieve the Contractor from his obligations to complete the work or from any other of his obligations and liabilities under the Contract.

**26. ADDENDA TO TENDER DOCUMENTS:**

The Purchaser reserves the right to issue addenda to the tender documents to clarify, modify, supplement or delete any of the condition, clause or items stated in the tender documents issued with this invitation to tender. Each addendum issued will be distributed to each tenderer or his authorized representative and the addendum so issued shall form a part of the original tender documents to be reviewed as required.

**27. NO CLAIM OR COMPENSATION FOR SUBMISSION OF TENDER:**

The tenderers whose tenders are not accepted shall not be entitled to claim any costs, charges and expenses of the tender, incidental to or incurred by them, through or in connection with their submission of tenders even though the Purchaser may elect to withdraw the invitation to tender.

**28. TENDER OPENING:**

The Tender will be opened in the presence of tenderers or their authorized representatives, who choose to be present. The representative should produce an authorization letter from the tenderer for attending the Tender opening.

**29. CANCELLATION / SHORT CLOSURE OF CONTRACT:**

The purchaser may, without prejudice to any other remedy for breach of Contract, by written notice of one month of default sent to the supplier, terminate the contract in whole or in part:

- a) If the supplier fails to deliver any or all of the stores within the time period(s) specified in the contract, or any extension thereof granted by the Purchaser.
- b) If the supplier fails to perform any other obligation under the contract within the period specified in the contract or any extension thereof granted by the purchaser.
- c) Purchaser reserves the right to cancel the Purchase Order/ contract on its own under exceptional circumstances.

On receipt of notice for short closure, the contractor shall cease all further work, except for such work as may be specified in the notice for the sole purpose of protecting that part of the stores already executed. Further, the liability of MIDHANI in such cases will be limited to the extent of the cost as assessed by MIDHANI, in its opinion, till the point of short closure.

**30. DIVERSION OF ORDER QUANTITY:**

During execution of contract, if the performance of a particular supplier is not upto the mark, MIDHANI reserves the right to divert such quantities to other reliable supplier(s) after observing necessary commercial formalities.

**31. MAKE IN INDIA:**

Purchase Preference to 'Class-I local supplier' as per Public Procurement (Preference to Make in India) Order 2017 revised dated 16/9/2020 (Attached along with this tender) and Notifications shall be provided:

**Note:** The local content requirement to categorize a supplier as class-I local supplier is minimum 50%. For Class-II local supplier the local content requirement is minimum 20%. Nodal Ministry/Department may prescribe only a higher percentage of minimum local content requirement to categorize a supplier as Class-I local supplier /Class-II local supplier. For the items for which the Nodal Ministry has not prescribed higher minimum local content notification under the order, it shall be 50% and 20% for class-I local supplier/ Class-II local supplier respectively.

As per clause 9 (a) & 9 (b) of the order, suppliers has to specify the percentage of local content and provide self certification (For value less than 10 Crores) that the item offered meets the local content requirement for Class-I/Class-II local supplier as the case may be and also give the details of the location(s) where the local value addition is made. For value greater than 10 Crores certificate for local content to be provided from statutory auditor or cost auditor of the company (In case of companies) or from a practicing Chartered Accountant or practicing Cost Accountant in case of suppliers other than companies.

**32. MSE (MICRO AND SMALL ENTERPRISES) and Start Up UNITS:**

As per Public Procurement Policy(PPP) for Micro & Small Enterprises (MSEs) order,2012 vide Gazette notification dated 23.03.2012 by Ministry of Micro, Small and Medium Enterprises of Govt of India, the following benefits will be extended to the MSEs.

If Tenderer happens to be a MSE as per Government Guidelines, necessary benefits in line with Government Guidelines issued from time to time shall be provided on submission of valid documentary proof to the satisfaction of the Purchaser. In case organization is an MSE Unit owned by SC/ST Entrepreneur or owned by Women Entrepreneur, submit valid documentary proof for extending benefits as per Government guidelines. Benefits include

- i) EMD is exempted for Micro & Small Enterprises (MSEs) registered with DIC/ NSIC/KVIC/ Udyog Aadhar Memorandum (UAM) issued by MoMSME or any other body specified by Ministry of MSME.
- ii) Purchase Preference to MSE's shall be provided as given below.
  - a) In tenders, participating Micro and Small Enterprises quoting price within price band of L1+ 15 percent shall also be allowed to supply at least 20% requirement by bringing down their price to L1 price in a situation where L1 price is from someone other than a Micro and Small Enterprise. In case of more than one such Micro and Small Enterprise, the supply shall be shared proportionately (to tendered quantity).



- b) In case of tender item is non-divisible and if Micro and Small Enterprises quoted price is within the price band L1+15% shall be allowed to supply total tender requirement by bringing down their price to L1 price in a situation where L1 price is from someone other than a Micro and Small Enterprise.
- iii) "Vendors to intimate the value of Goods & Services which are sub contracted by them from the MSE's if any, pertaining to the ordered item(s)".
- iv) The benefits mentioned above are meant for procurement of goods produced and services rendered by MSE's. Traders are excluded from availing these benefits
- v) Vendors to intimate the value of Goods & Services which are sub contracted by them from MSE's if any, pertaining to the tendered item(s).

33. Only one vertical (company) from a group of companies will be eligible to participate in the tender. MIDHANI reserves the right to reject the bids of all such parties summarily, if it is found that verticals under the same organisation have participated.

**34. BANKRUPTCY ETC.:**

If the Supplier/Contractor shall become bankrupt or insolvent or cause or suffer any receiver to be appointed of his business or any asset thereof or compound with his creditors, or being a corporation commence to be wound up, or carry on its business under a Receiver for the benefits of its creditors or any of them, the Purchaser shall be at liberty:

- a. To terminate the contract forthwith upon coming to know of the happening of any such event as aforesaid by notice in writing to the Contractor or to the receiver / liquidator.  
OR
- b. To give such receiver, liquidator or other person the option of carrying out the contract subject to his providing guarantee up to an amount to be agreed for the due and faithful performance of the Contract.

**35. DEFINITIONS:**

**PURCHASER:** The term "Purchaser" as used herein shall mean "Mishra Dhatu Nigam Limited" incorporated under the companies Act 1956, and having its registered office at P.O. Kanchanbagh, Hyderabad-500 058. TS, India, and shall include its successors and assigns.

**TENDERER:** The term "Tenderer" shall mean the person, firm or corporation submitting a tender against the invitation to tender and shall include his/ its heirs, executors, administrators, legal representatives, successors and assigns.

**CONTRACTOR:** The term "Contractor" shall mean the Tenderer whose tender has been accepted and shall include his/its heirs, executors, administrators, legal representatives, successors and assigns approved by the Purchaser.



**AGREED TERMS & CONDITIONS**

<b>Tender Ref NO.</b>	MDN/PUR/46227032/E-Advt/428/22-23		
<b>TENDER TITLE</b>	Deep Hole Drilling of SF800H Billets		
<b>Bidder Name:</b>			
<b>S.NO.</b>	<b>Tender Requirement</b>	<b>Vendor's confirmation/</b>	<b>REMARKS in Max 500 Characters</b>
*1	Job has to be carried out as per Scope of Work and specification at Annexure-I without any deviation.	SELECT	
*2	Specify Agree/Disagree of eProcurement Notice Inviting Tender (NIT) and all the Terms and Conditions at Annexure-II to tender.	SELECT	
*3	Basis of quoted prices. FOR Midhani:To and Fro transport shall be in Vendor at their own cost.	SELECT	
*4	Payment terms-100% payment within 30 days from the date of receipt & acceptance of material in Midhani.	SELECT	
*5	Validity of Order:Shall be for 1(One) year from the date of placement of PO.	SELECT	
**6	<b>SPECIFY OFFER MAKE and PRODUCT SPECIFICATION</b>		
**7	Delivery Schedule: As per Annexure-I		
**8	<b>Indicate your GST No. C. E. REGN / E. C. C. No. HNS CODE No.</b>		
**9	<b>Indicate Taxes and Duties applicable with rate percentage.</b>		
**10	Any Other Terms Condition/ Guarantee/ Price Variation/ Inspection		

\*Confirm your acceptance of our terms (sl no 1,2, 3, 4 & 5) by selecting AGREE option , if DISAGREE enter your remarks in respective cell.

\*\* For Sl no 6, 7, 8, 9 & 10 enter only remarks in respective cell.



Name of Work: Deep Hole Drilling of SF800H Billets

TENDER REF. NO MDN/PIR/46227032/E-Adv/428/22-23

PRICE SCHEDULE												
(This BOQ template must not be modified/replaced by the bidder and the same should be uploaded after filling the relevant columns, also the bidder is liable to be rejected for this tender. Bidders are allowed to enter the Bidder Name and Values only )												
Bidder Name :	Sl. No.	Item Description	Quantity	Units	BASIC RATE per Unit in Rs. Figures To be entered by the Bidder	SGST (Per Unit in Rs.) (CENVATABLE )	CGST (Per Unit in Rs.) (CENVATABLE)	IGST (Per Unit in Rs.) (CENVATABLE)	TOTAL AMOUNT (LANDED COST)	TOTAL AMOUNT In Words		
	1	2	3	4	5	8	9	10	12	13		
	1	Input Size: Dia 170 (±5) X 500(±10.0)L Output Size: As per Drawing M28P600-4884-A4	400.00	No.					0.0000	INR Zero Only		
	Total In Figures										0.0000	INR Zero Only
	Quoted Rate in Words											



DECLARATION TO BE GIVEN BY VENDORS ALONG WITH BID (MANDATORY) ON THEIR LETTER HEAD IN  
CASE THE VALUE OF PROCUREMENT IS MORE THAN 5 LAKHS

Tender Ref No: With reference to the above mentioned RFP/Tender, we hereby confirm that we have read the Public Procurement (Preference to Make in India) Order No. P-45021/2/2017-PP (BE-II) revision dated 16/9/2020 and the updates and the percentage of local (Indian) content in the offered items/service is \_\_\_\_\_ and the place/places of value addition done is/are \_\_\_\_\_.

Signature with seal

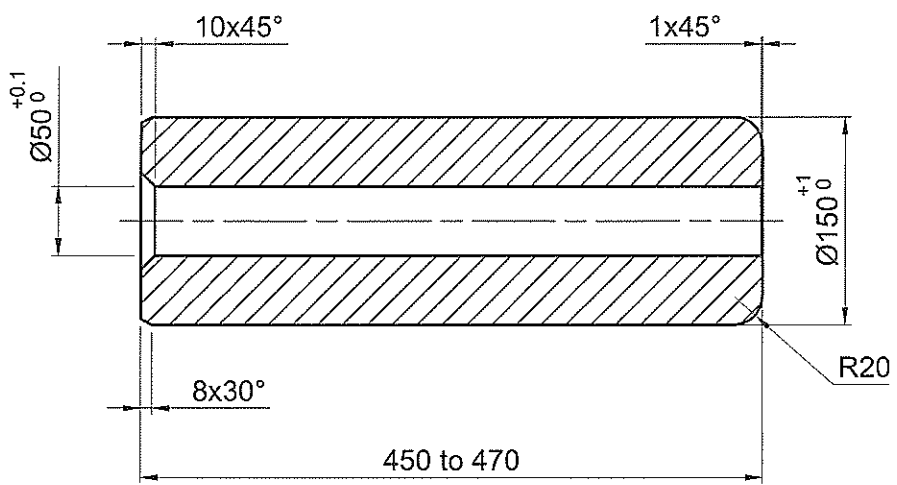
Note: In cases of procurement for value in excess of 10 Crores the Class-I /Class-II local supplier shall be required to provide a certificate from statutory auditor or cost auditor (In case of companies) or from a practicing cost accountant or practicing chartered accountant (In respect of suppliers other than companies) giving the percentage of local content.





REF. DRG. No.	REVISION	
	BY	APPD
No.	DATE	W.O.No.
REMARKS		

NOTE: 1.ALL DIMENSIONS ARE IN mm U.O.S.  
 2.REMOVE BURRS & SHARP CORNERS  
 3.FREE MEASURE TOLERANCE SHOULD BE AS PER MEDIUM IS:2102 - 1969 U.O.S.  
 4.FOLLOW RELEVANT INDIAN STANDARDS FOR MANUFACTURE  
 5.DO NOT SCALE DRAWING.  
 6.ASK, IF IN DOUBT.



THIS DRAWING IS THE PROPERTY OF M/s MISHRA DHATU NIGAM LTD. AND SHOULD NOT BE GIVEN OR HANDED OVER OR DIVULGED TO ANY OTHER PERSON WITHOUT THE EXPRESS PERMISSION OF THE COMPANY IN WRITING. THE MATTER GIVEN ON THIS DRAWING IS TO BE TREATED AS STRICTLY CONFIDENTIAL.

▽▽  
**MATERIAL : INCALLOY 800**

Sl.No.	DRG. No.	DESCRIPTION	MATERIAL	No. OFF	PER PCE.	TOTAL	REMARKS							
EQPT. : EXTRUSION PRESS (CXT-1250)			DEPT. : KAPP SHOP		WEIGHT kg.		TOTAL Wt. kg							
W.O.No. : 21 - 3 - 162			<b>Mishra Dhatu Nigam Ltd</b>											
DESIGNED	NAME		<b>SUPER ALLOYS PLANT</b>											
DRAWN	DATE		<b>HYDERABAD</b>											
CHECKED	ASP													
APPROVED	17-12-21	▽▽▽▽		▽▽▽		▽								
		N1	N2	N3	N4	N5	N6	N7	N8	N9	N10	N11	N12	SUPERSEDES
		0.025	0.05	0.1	0.2	0.4	0.8	1.6	3.2	6.3	12.5	25	50	
FINISH ▽ IF NOT SHOWN		SURFACE FINISH IN μm AS PER IS:696 - 1972												SUPERSEDED BY
SCALE - 1 : 5	TITLE	<b>BILLET</b> (INCALLOY 800)										DRG. No.		
												<b>M28P600 - 48 - 85 - A4</b>		
												SHEET 1	OF 1	



**Compliance to GST return and e-invoicing:**

1. The GST invoice to be submitted by registered supplier shall be in accordance with provisions of Sec 31 of CGST Act, 2017 and shall contain all particulars specified in rule 46 of CGST Rules including HSN/SAC codes.
2. Wherever E-invoice is applicable as per provisions of GST Act and notifications issued from time to time, bills will be processed only on submission of E-invoice (in addition to all other relevant documents). If E-invoice is not applicable, supplier is requested to submit the declaration on letter head signed by Authorized signatory in the attached format at Annexure-A.
3. Further to above, if the aggregate turnover of the supplier exceeds threshold limits as notified by Government of India at any future date, then E-invoice shall be applicable and the bidder has to comply with required provisions of GST Law.
4. Supplier need to give declaration whether he is filing GSTR-1 and GSTR-3B on monthly basis or quarterly basis. If supplier is filing /opted for GSTR-1 and GSTR-3B on Quarterly basis, supplier is requested to submit the declaration on letter head signed by Authorized signatory in the attached format at Annexure-B.
5. If the supplier is filing returns on monthly basis, payment will be made only after filing of GSTR-1 and GSTR-3B of the respective month including availability of invoice in GSTR-2B (It is to be noted that the Invoice will appear in GSTR-2B of corresponding month if the supplier files GSTR-1 within due dates mentioned in the Act).
6. If supplier is filing / opted for GSTR-1 and GSTR-3B on Quarterly basis, only the base amounts will be paid initially and release of GST amounts will be made only after quarterly filing of GSTR-1, GSTR-3B of corresponding months including availability of invoice in GSTR-2B (It is to be noted that the Invoice will appear in GSTR-2B of corresponding month if the supplier files GSTR-1 within due dates mentioned in the Act). After filing of GSTR-1 and GSTR-3B Supplier has to intimate the same to Purchase Department along with copies of GSTR-1 and GSTR-3B for onward intimation to Finance Department.
7. In case MIDHANI is unable to avail GST credit within time limit specified under the GST Act due to delay in filing and /or intimation regarding filing of GST returns by supplier or due to any other fault of supplier, corresponding GST amounts will not be paid to supplier.

**Annexure-A**

**TO BE PRINTED ON LETTER HEAD**

**To whomsoever, it may concern.**

We M/s. .... having PAN ..... and GSTIN Registration Number ..... hereby undertake that our Aggregate Turnover (as per Section 2(6) of Central Goods and Services Tax Act, 2017) for the previous financial year does not exceed the prescribed threshold (as on the date of this declaration) for generation a Unique Invoice Registration Number (IRN) and QR code as per the provisions of Central Goods and Services Tax Act, 2017 and rules thereunder ("GST Law").

Further, we also undertake that if the aggregate turnover of M/s. .... exceeds the current threshold or revised threshold notified by Government of India at any future date, then we shall issue invoice, Debit Note and credit note in compliance with the required provisions of GST Law (E-Invoice).

I/We .....acting on behalf of (Company name) ..... in the capacity of (designation) ..... and keep it indemnified against any losses, damages (or) costs which it suffers (or) incurs due to breach on our part of this declaration.

LEGAL NAME :

TRADE NAME :

TAX PAYER TYPE :Regular

Thanking you.

Yours Truly,

For M/s.....

Authorized Signatory Name:

Designation:

Stamp:

**Annexure-B**

**TO BE PRINTED ON LETTER HEAD**

**To whomsoever, it may concern.**

We M/s. .... having PAN ..... and GSTIN Registration Number ..... hereby confirm that our Aggregate Turnover (as per Section 2(6) of Central Goods and Services Tax Act, 2017) was not more than prescribed limit for Quarterly filing and we are anticipating that turnover for the Current Financial year also will be within the prescribed limit. Hence, we opt to file GSTR-1 and GSTR-3B returns on a Quarterly basis for the Financial year 2020-2021(January 2021 onwards). We are hereby agreeing to file GSTR-1 and GSTR-3B on or before due dates as per provisions of GST Act and Rules thereunder. In case we revise option / required to file GSTR-1 and GSTR-3B on monthly basis, same will be intimated immediately and complied with.

Further, we also undertake that if the aggregate turnover of M/s. .... exceeds the current threshold or revised threshold notified by Government of India at any future date, then we shall file returns compliance with the provisions of GST Act or rules made thereunder.

I/We .....acting on behalf of (Company name) ..... in the capacity of (designation) ..... and keep it indemnified against any losses, damages (or) costs which it suffers (or) incurs due to breach on our part of this declaration.

Our GST details as per GST Registration certificate are as below:

**LEGAL NAME :**

**TRADE NAME :**

Thanking you.

Yours Truly,

For M/s.....

(Authorized Signatory)

Name:

Designation:

Stamp:



No. P-45021/2/2017-PP (BE-II)  
Government of India  
Ministry of Commerce and Industry  
Department for Promotion of Industry and Internal Trade  
(Public Procurement Section)

Udyog Bhawan, New Delhi  
Dated: 16<sup>th</sup> September, 2020

To

All Central Ministries/Departments/CPSUs/All concerned

ORDER

**Subject: Public Procurement (Preference to Make in India), Order 2017– Revision; regarding.**

Department for Promotion of Industry and Internal Trade, in partial modification [Paras 2, 3, 5, 10 & 13] of Order No.P-45021/2/2017-B.E.-II dated 15.6.2017 as amended by Order No.P-45021/2/2017-B.E.-II dated 28.05.2018, Order No.P-45021/2/2017-B.E.-II dated 29.05.2019 and Order No.P-45021/2/2017-B.E.-II dated 04.06.2020, hereby issues the revised 'Public Procurement (Preference to Make in India), Order 2017' dated 16.09.2020 effective with immediate effect.

**Whereas** it is the policy of the Government of India to encourage 'Make in India' and promote manufacturing and production of goods and services in India with a view to enhancing income and employment, and

**Whereas** procurement by the Government is substantial in amount and can contribute towards this policy objective, and

**Whereas** local content can be increased through partnerships, cooperation with local companies, establishing production units in India or Joint Ventures (JV) with Indian suppliers, increasing the participation of local employees in services and training them,

**Now therefore the following Order is issued:**

1. This Order is issued pursuant to Rule 153 (iii) of the General Financial Rules 2017.

2. **Definitions:** For the purposes of this Order:

*'Local content'* means the amount of value added in India which shall, unless otherwise prescribed by the Nodal Ministry, be the total value of the item procured (excluding net domestic indirect taxes) minus the value of imported content in the item (including all customs duties) as a proportion of the total value, in percent.

*'Class-I local supplier'* means a supplier or service provider, whose goods, services or works offered for procurement, meets the minimum local content as prescribed for 'Class-I local supplier' under this Order.

.....Contd. p/2

'Class-II local supplier' means a supplier or service provider, whose goods, services or works offered for procurement, meets the minimum local content as prescribed for 'Class-II local supplier' but less than that prescribed for 'Class-I local supplier' under this Order.

'Non - Local supplier' means a supplier or service provider, whose goods, services or works offered for procurement, has local content less than that prescribed for 'Class-II local supplier' under this Order.

'L1' means the lowest tender or lowest bid or the lowest quotation received in a tender, bidding process or other procurement solicitation as adjudged in the evaluation process as per the tender or other procurement solicitation.

'Margin of purchase preference' means the maximum extent to which the price quoted by a "Class-I local supplier" may be above the L1 for the purpose of purchase preference.

'Nodal Ministry' means the Ministry or Department identified pursuant to this order in respect of a particular item of goods or services or works.

'Procuring entity' means a Ministry or department or attached or subordinate office of, or autonomous body controlled by, the Government of India and includes Government companies as defined in the Companies Act.

'Works' means all works as per Rule 130 of GFR- 2017, and will also include 'turnkey works'.

**3. Eligibility of 'Class-I local supplier' / 'Class-II local supplier' / 'Non-local suppliers' for different types of procurement**

(a) In procurement of all goods, services or works in respect of which the Nodal Ministry / Department has communicated that there is sufficient local capacity and local competition, only 'Class-I local supplier', as defined under the Order, shall be eligible to bid irrespective of purchase value.

(b) Only 'Class-I local supplier' and 'Class-II local supplier', as defined under the Order, shall be eligible to bid in procurements undertaken by procuring entities, except when Global tender enquiry has been issued. In global tender enquiries, 'Non-local suppliers' shall also be eligible to bid along with 'Class-I local suppliers' and 'Class-II local suppliers'. In procurement of all goods, services or works, not covered by sub-para 3(a) above, and with estimated value of purchases less than Rs. 200 Crore, in accordance with Rule 161(iv) of GFR, 2017, Global tender enquiry shall not be issued except with the approval of competent authority as designated by Department of Expenditure.

(c) For the purpose of this Order, works includes Engineering, Procurement and Construction (EPC) contracts and services include System Integrator (SI) contracts.



### 3A. Purchase Preference

(a) Subject to the provisions of this Order and to any specific instructions issued by the Nodal Ministry or in pursuance of this Order, purchase preference shall be given to 'Class-I local supplier' in procurements undertaken by procuring entities in the manner specified here under.

(b) In the procurements of goods or works, which are covered by para 3(b) above and which are divisible in nature, the 'Class-I local supplier' shall get purchase preference over 'Class-II local supplier' as well as 'Non-local supplier', as per following procedure:

- i. Among all qualified bids, the lowest bid will be termed as L1. If L1 is 'Class-I local supplier', the contract for full quantity will be awarded to L1.
- ii. If L1 bid is not a 'Class-I local supplier', 50% of the order quantity shall be awarded to L1. Thereafter, the lowest bidder among the 'Class-I local supplier' will be invited to match the L1 price for the remaining 50% quantity subject to the Class-I local supplier's quoted price falling within the margin of purchase preference, and contract for that quantity shall be awarded to such 'Class-I local supplier' subject to matching the L1 price. In case such lowest eligible 'Class-I local supplier' fails to match the L1 price or accepts less than the offered quantity, the next higher 'Class-I local supplier' within the margin of purchase preference shall be invited to match the L1 price for remaining quantity and so on, and contract shall be awarded accordingly. In case some quantity is still left uncovered on Class-I local suppliers, then such balance quantity may also be ordered on the L1 bidder.

(c) In the procurements of goods or works, which are covered by para 3(b) above and which are not divisible in nature, and in procurement of services where the bid is evaluated on price alone, the 'Class-I local supplier' shall get purchase preference over 'Class-II local supplier' as well as 'Non-local supplier', as per following procedure:

- i. Among all qualified bids, the lowest bid will be termed as L1. If L1 is 'Class-I local supplier', the contract will be awarded to L1.
- ii. If L1 is not 'Class-I local supplier', the lowest bidder among the 'Class-I local supplier', will be invited to match the L1 price subject to Class-I local supplier's quoted price falling within the margin of purchase preference, and the contract shall be awarded to such 'Class-I local supplier' subject to matching the L1 price.
- iii. In case such lowest eligible 'Class-I local supplier' fails to match the L1 price, the 'Class-I local supplier' with the next higher bid within the margin of purchase preference shall be invited to match the L1 price and so on and contract shall be awarded accordingly. In case none of the 'Class-I local supplier' within the margin of purchase preference matches the L1 price, the contract may be awarded to the L1 bidder.

.....Contd. p/4

- (d) "Class-II local supplier" will not get purchase preference in any procurement, undertaken by procuring entities

**3B. Applicability in tenders where contract is to be awarded to multiple bidders -**  
In tenders where contract is awarded to multiple bidders subject to matching of L1 rates or otherwise, the 'Class-I local supplier' shall get purchase preference over 'Class-II local supplier' as well as 'Non-local supplier', as per following procedure:

- a) In case there is sufficient local capacity and competition for the item to be procured, as notified by the nodal Ministry, only Class I local suppliers shall be eligible to bid. As such, the multiple suppliers, who would be awarded the contract, should be all and only 'Class I Local suppliers'
- b) In other cases, 'Class II local suppliers' and 'Non local suppliers' may also participate in the bidding process along with 'Class I Local suppliers' as per provisions of this Order
- c) If 'Class I Local suppliers' qualify for award of contract for at least 50% of the tendered quantity in any tender, the contract may be awarded to all the qualified bidders as per award criteria stipulated in the bid documents. However, in case 'Class I Local suppliers' do not qualify for award of contract for at least 50% of the tendered quantity, purchase preference should be given to the 'Class I local supplier' over 'Class II local suppliers'/'Non local suppliers' provided that their quoted rate falls within 20% margin of purchase preference of the highest quoted bidder considered for award of contract so as to ensure that the 'Class I Local suppliers' taken in totality are considered for award of contract for at least 50% of the tendered quantity.
- d) First purchase preference has to be given to the lowest quoting 'Class-I local supplier', whose quoted rates fall within 20% margin of purchase preference, subject to its meeting the prescribed criteria for award of contract as also the constraint of maximum quantity that can be sourced from any single supplier. If the lowest quoting 'Class-I local supplier', does not qualify for purchase preference because of aforesaid constraints or does not accept the offered quantity, an opportunity may be given to next higher 'Class-I local supplier', falling within 20% margin of purchase preference, and so on.
- e) To avoid any ambiguity during bid evaluation process, the procuring entities may stipulate its own tender specific criteria for award of contract amongst different bidders including the procedure for purchase preference to 'Class-I local supplier' within the broad policy guidelines stipulated in sub-paras above.

4. **Exemption of small purchases:** Notwithstanding anything contained in paragraph 3, procurements where the estimated value to be procured is less than Rs. 5 lakhs shall be exempt from this Order. However, it shall be ensured by procuring entities that procurement is not split for the purpose of avoiding the provisions of this Order.
5. **Minimum local content:** The 'local content' requirement to categorize a supplier as 'Class-I local supplier' is minimum 50%. For 'Class-II local supplier', the 'local content' requirement is minimum 20%. Nodal Ministry/ Department may prescribe only a higher

percentage of minimum local content requirement to categorize a supplier as 'Class-I local supplier/' 'Class-II local supplier'. For the items, for which Nodal Ministry/ Department has not prescribed higher minimum local content notification under the Order, it shall be 50% and 20% for 'Class-I local supplier/' 'Class-II local supplier' respectively.

6. **Margin of Purchase Preference:** The margin of purchase preference shall be 20%.
7. **Requirement for specification in advance:** The minimum local content, the margin of purchase preference and the procedure for preference to Make in India shall be specified in the notice inviting tenders or other form of procurement solicitation and shall not be varied during a particular procurement transaction.
8. **Government E-marketplace:** In respect of procurement through the Government E-marketplace (GeM) shall, as far as possible, specifically mark the items which meet the minimum local content while registering the item for display, and shall, wherever feasible, make provision for automated comparison with purchase preference and without purchase preference and for obtaining consent of the local supplier in those cases where purchase preference is to be exercised.
9. **Verification of local content:**
  - a. The 'Class-I local supplier/' 'Class-II local supplier' at the time of tender, bidding or solicitation shall be required to indicate percentage of local content and provide self-certification that the item offered meets the local content requirement for 'Class-I local supplier/' 'Class-II local supplier', as the case may be. They shall also give details of the location(s) at which the local value addition is made.
  - b. In cases of procurement for a value in excess of Rs. 10 crores, the 'Class-I local supplier/' 'Class-II local supplier' shall be required to provide a certificate from the statutory auditor or cost auditor of the company (in the case of companies) or from a practicing cost accountant or practicing chartered accountant (in respect of suppliers other than companies) giving the percentage of local content.
  - c. Decisions on complaints relating to implementation of this Order shall be taken by the competent authority which is empowered to look into procurement-related complaints relating to the procuring entity.
  - d. Nodal Ministries may constitute committees with internal and external experts for independent verification of self-declarations and auditor's/ accountant's certificates on random basis and in the case of complaints.
  - e. Nodal Ministries and procuring entities may prescribe fees for such complaints.
  - f. False declarations will be in breach of the Code of Integrity under Rule 175(1)(i)(h) of the General Financial Rules for which a bidder or its successors can be debarred for up to two years as per Rule 151 (iii) of the General Financial Rules along with such other actions as may be permissible under law.

- g. A supplier who has been debarred by any procuring entity for violation of this Order shall not be eligible for preference under this Order for procurement by any other procuring entity for the duration of the debarment. The debarment for such other procuring entities shall take effect prospectively from the date on which it comes to the notice of other procurement entities, in the manner prescribed under paragraph 9h below.
- h. The Department of Expenditure shall issue suitable instructions for the effective and smooth operation of this process, so that:
  - i. The fact and duration of debarment for violation of this Order by any procuring entity are promptly brought to the notice of the Member-Convenor of the Standing Committee and the Department of Expenditure through the concerned Ministry /Department or in some other manner.
  - ii. on a periodical basis such cases are consolidated and a centralized list or decentralized lists of such suppliers with the period of debarment is maintained and displayed on website(s).
  - iii. in respect of procuring entities other than the one which has carried out the debarment, the debarment takes effect prospectively from the date of uploading on the website(s) in the such a manner that ongoing procurements are not disrupted

**10. Specifications in Tenders and other procurement solicitations:**

- a. Every procuring entity shall ensure that the eligibility conditions in respect of previous experience fixed in any tender or solicitation do not require proof of supply in other countries or proof of exports
- b. Procuring entities shall endeavour to see that eligibility conditions, including on matters like turnover, production capability and financial strength do not result in unreasonable exclusion of 'Class-I local supplier'/ 'Class-II local supplier' who would otherwise be eligible, beyond what is essential for ensuring quality or creditworthiness of the supplier.
- c. Procuring entities shall, within 2 months of the issue of this Order review all existing eligibility norms and conditions with reference to sub-paragraphs 'a' and 'b' above.
- d. **Reciprocity Clause**
  - i. When a Nodal Ministry/Department identifies that Indian suppliers of an item are not allowed to participate and/ or compete in procurement by any foreign government, due to restrictive tender conditions which have direct or indirect effect of barring Indian companies such as registration in the procuring country, execution of projects of specific value in the procuring country etc., it shall provide such details to all its procuring entities including CMDs/CEOs of PSEs/PSUs, State Governments and other procurement agencies under their administrative control and GeM for appropriate reciprocal action

- ii. Entities of countries which have been identified by the nodal Ministry/Department as not allowing Indian companies to participate in their Government procurement for any item related to that nodal Ministry shall not be allowed to participate in Government procurement in India for all items related to that nodal Ministry/ Department, except for the list of items published by the Ministry/ Department permitting their participation.
  - iii. The stipulation in (ii) above shall be part of all tenders invited by the Central Government procuring entities stated in (i) above. All purchases on GeM shall also necessarily have the above provisions for items identified by nodal Ministry/ Department
  - iv. State Governments should be encouraged to incorporate similar provisions in their respective tenders.
  - v. The term 'entity' of a country shall have the same meaning as under the FDI Policy of DPIIT as amended from time to time.
- e. Specifying foreign certifications/ unreasonable technical specifications/ brands/ models in the bid document is restrictive and discriminatory practice against local suppliers. If foreign certification is required to be stipulated because of non-availability of Indian Standards and/or for any other reason, the same shall be done only after written approval of Secretary of the Department concerned or any other Authority having been designated such power by the Secretary of the Department concerned.
- f. "All administrative Ministries/Departments whose procurement exceeds Rs. 1000 Crore per annum shall notify/ update their procurement projections every year, including those of the PSEs/PSUs, for the next 5 years on their respective website."

**10A. Action for non-compliance of the Provisions of the Order:** In case restrictive or discriminatory conditions against domestic suppliers are included in bid documents, an inquiry shall be conducted by the Administrative Department undertaking the procurement (including procurement by any entity under its administrative control) to fix responsibility for the same. Thereafter, appropriate action, administrative or otherwise, shall be taken against erring officials of procurement entities under relevant provisions. Intimation on all such actions shall be sent to the Standing Committee.

**11. Assessment of supply base by Nodal Ministries:** The Nodal Ministry shall keep in view the domestic manufacturing / supply base and assess the available capacity and the extent of local competition while identifying items and prescribing the higher minimum local content or the manner of its calculation, with a view to avoiding cost increase from the operation of this Order.

**12. Increase in minimum local content:** The Nodal Ministry may annually review the local content requirements with a view to increasing them, subject to availability of sufficient local competition with adequate quality.

13. **Manufacture under license/ technology collaboration agreements with phased indigenization:** While notifying the minimum local content, Nodal Ministries may make special provisions for exempting suppliers from meeting the stipulated local content if the product is being manufactured in India under a license from a foreign manufacturer who holds intellectual property rights and where there is a technology collaboration agreement / transfer of technology agreement for indigenous manufacture of a product developed abroad with clear phasing of increase in local content.

13A. In procurement of all goods, services or works in respect of which there is substantial quantity of public procurement and for which the nodal ministry has not notified that there is sufficient local capacity and local competition, the concerned nodal ministry shall notify an upper threshold value of procurement beyond which foreign companies shall enter into a joint venture with an Indian company to participate in the tender. Procuring entities, while procuring such items beyond the notified threshold value, shall prescribe in their respective tenders that foreign companies may enter into a joint venture with an Indian company to participate in the tender. The procuring Ministries/Departments shall also make special provisions for exempting such joint ventures from meeting the stipulated minimum local content requirement, which shall be increased in a phased manner.

14. **Powers to grant exemption and to reduce minimum local content:** The administrative Department undertaking the procurement (including procurement by any entity under its administrative control), with the approval of their Minister-in-charge, may by written order, for reasons to be recorded in writing,

- a. reduce the minimum local content below the prescribed level; or
- b. reduce the margin of purchase preference below 20%; or
- c. exempt any particular item or supplying entities from the operation of this Order or any part of the Order.

A copy of every such order shall be provided to the Standing Committee and concerned Nodal Ministry / Department. The Nodal Ministry / Department concerned will continue to have the power to vary its notification on Minimum Local Content.

15. **Directions to Government companies:** In respect of Government companies and other procuring entities not governed by the General Financial Rules, the administrative Ministry or Department shall issue policy directions requiring compliance with this Order.

16. **Standing Committee:** A standing committee is hereby constituted with the following membership:

Secretary, Department for Promotion of Industry and Internal Trade—Chairman  
Secretary, Commerce—Member  
Secretary, Ministry of Electronics and Information Technology—Member  
Joint Secretary (Public Procurement), Department of Expenditure—Member  
Joint Secretary (DPIT)—Member-Convener

The Secretary of the Department concerned with a particular item shall be a member in respect of issues relating to such item. The Chairman of the Committee may co-opt technical experts as relevant to any issue or class of issues under its consideration.

17. **Functions of the Standing Committee:** The Standing Committee shall meet as often as necessary, but not less than once in six months. The Committee

- a. shall oversee the implementation of this order and issues arising therefrom, and make recommendations to Nodal Ministries and procuring entities.
- b. shall annually assess and periodically monitor compliance with this Order
- c. shall identify Nodal Ministries and the allocation of items among them for issue of notifications on minimum local content
- d. may require furnishing of details or returns regarding compliance with this Order and related matters
- e. may, during the annual review or otherwise, assess issues, if any, where it is felt that the manner of implementation of the order results in any restrictive practices, cartelization or increase in public expenditure and suggest remedial measures
- f. may examine cases covered by paragraph 13 above relating to manufacture under license/ technology transfer agreements with a view to satisfying itself that adequate mechanisms exist for enforcement of such agreements and for attaining the underlying objective of progressive indigenization
- g. may consider any other issue relating to this Order which may arise.

18. **Removal of difficulties:** Ministries /Departments and the Boards of Directors of Government companies may issue such clarifications and instructions as may be necessary for the removal of any difficulties arising in the implementation of this Order.

19. **Ministries having existing policies:** Where any Ministry or Department has its own policy for preference to local content approved by the Cabinet after 1<sup>st</sup> January 2015, such policies will prevail over the provisions of this Order. All other existing orders on preference to local content shall be reviewed by the Nodal Ministries and revised as needed to conform to this Order, within two months of the issue of this Order.

20. **Transitional provision:** This Order shall not apply to any tender or procurement for which notice inviting tender or other form of procurement solicitation has been issued before the issue of this Order.



(Rakesh Gupta)  
Director

Tel: 23063211

[rajesh.gupta66@gov.in](mailto:rajesh.gupta66@gov.in)

shall be considered as the valid price of that bidder. The status of the bidder (L1, L2 etc) shall be evaluated considering either the bid price submitted in Reverse auction or the Price quoted in the price bid, whichever is lower.

L Since, e-reverse auction is a sequel to e-tender; the process of finalizing the tender upon completion of reverse auction will be same as the tender process without reverse auction.

M The bid history shall reflect only the landed price. The landed price shall also not be same for two bidders even if any bidder makes such an attempt.

N Server time shall be the basis of Start time & Closing time for bidding and shall be binding for all. This would be visible to all concerned.

O On expiry of the closing of the auction, the bid history showing all the last valid bids offered along with name of the bidders shall be published. All bidders shall have the facility to see and get a print of the same for their record.

P All electronic bids submitted during the reverse auction process shall be legally binding on the bidder. The chronologically last bid submitted by the bidder till the end of the auction will be considered as the valid price bid offered by that bidder and acceptance of the same by MIDHANI will form a binding contract between MIDHANI and the bidder for entering into a contract.

Q Conditional discounts shall not be considered. If a bidder offers a discount unilaterally after submission of bid, the discount shall not be considered for evaluation of offers but shall be availed if order is placed on such tenderer.

R If the lowest price received during reverse auction is unreasonable or it is unacceptable on ground of being too high or too low compared with estimated price, the management reserves right to seek justification of the price from lowest bidder.

S In case of disruption of service at the service provider's end while the RAP is online, due to any technical snag or otherwise attributable to the system failure at the server end, the RAP process will start all over again. In such a situation, the last recorded lowest price of prematurely ended RAP, will be the 'Start Bid' price for the restarted RAP. The prices quoted in the prematurely ended RAP will be binding on all the bidders for consideration, if the restarted RAP does not trigger within the stipulated time.

T Disruption and restarting of RAP shall be intimated to all the bidders through system/SMS/e-mail through e procurement portal. All the time stipulations of normal RAP will be applicable to the restarted RAP.

U. Bidders in their own interest are advised to quote competitive rates while filling the Online Sealed Bid (OLSB). In the event of over whelming response against the tender, MIDHANI reserves the right to exercise the option of eliminating H-1 or/ H-1 or H2 bidders before RAP.



V. In case of RAP is not conducted on account of low response, MIDHANI shall obtain discounts off line in sealed form (over OLSBs). Both the OLSBs and discount letters shall be opened on the same day and L1 will be determined.

W. In case of RAP fails, i.e. no bids are received; MIDHANI may conduct price negotiation with the lowest bidder.

